

Banner Systems Specifications

Contents

Heavy Duty Banner Systems (Wall Mounted)

- Features
- Options
- Pole and Fitting Details
- Tensioners
- Brackets
- Stay Wire Option
- End Cap Options
- Rigging Screws

Standard Duty Banner Systems (Wall Mounted)

- Features
- Banner Poles
- Wall Mounted Brackets
- Bracket Details
- Tensioners
- Rigging Screws

Light Duty Banner Systems (Wall Mounted)

- Features

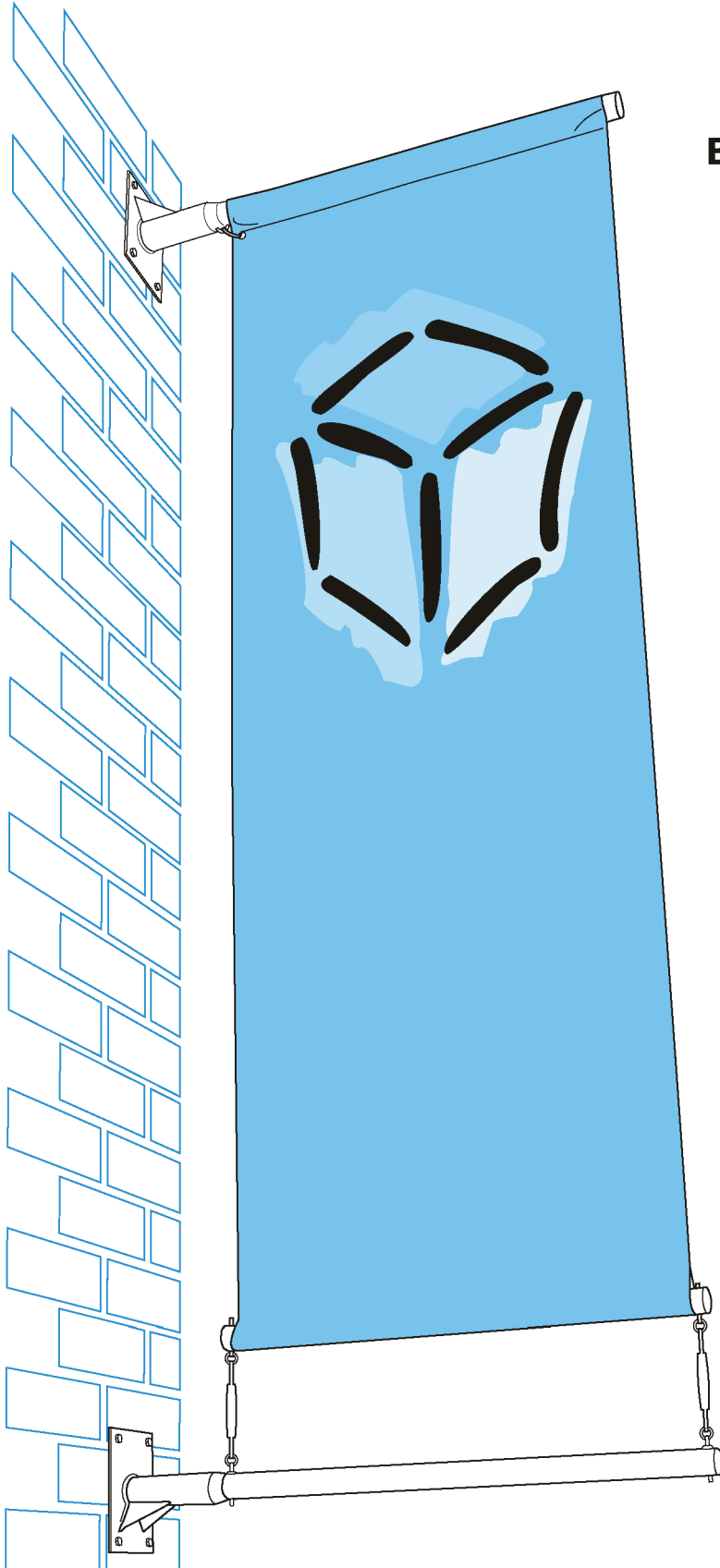
Face Fix Banner Systems (Wall mounted)

- Features
- Brackets - Stopped End
- Brackets - Adjustable End
- Tensioners
- Rigging screws

Banner Mast Systems

Banner Systems Specifications

Heavy Duty Systems - Banner Poles



Banner Supports

- Banner bracket and poles suitable for outdoor use PVC banners
- Welded steel brackets and aluminium poles in 60mm tube – gloss finished in white
- Bracket plate size 200mm x 300mm c/w holes
- End caps are available as:
 - (i) Plain domed
 - (ii) Gold finial
 - (iii) Plain end cap
- For exceptionally deep banners, intermediate supports are recommended
- A tensioner is always recommended with the Heavy Duty Systems
- Stay wires are available for additional support
- All fittings are stainless steel

Banner Systems Specifications

Heavy Duty Systems - Banner Poles

Complete System

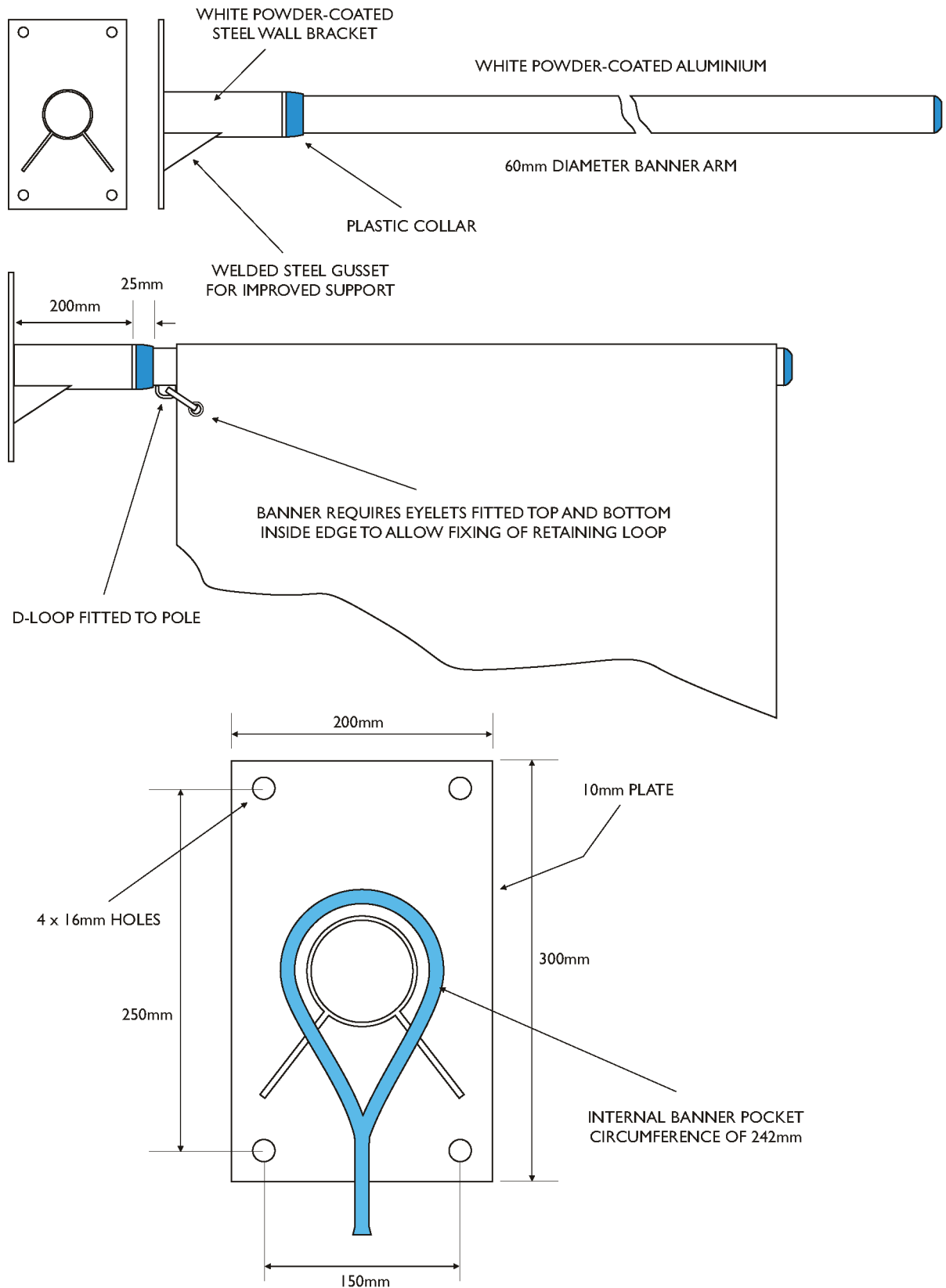
- Top pole and bracket
- Bottom pole and bracket
- Tensioner

Options
Additional pole and bracket
Tensioner
Stay Wires
White Domed End Cap
Gold Finial

Complete System
500mm
1000mm
1500mm

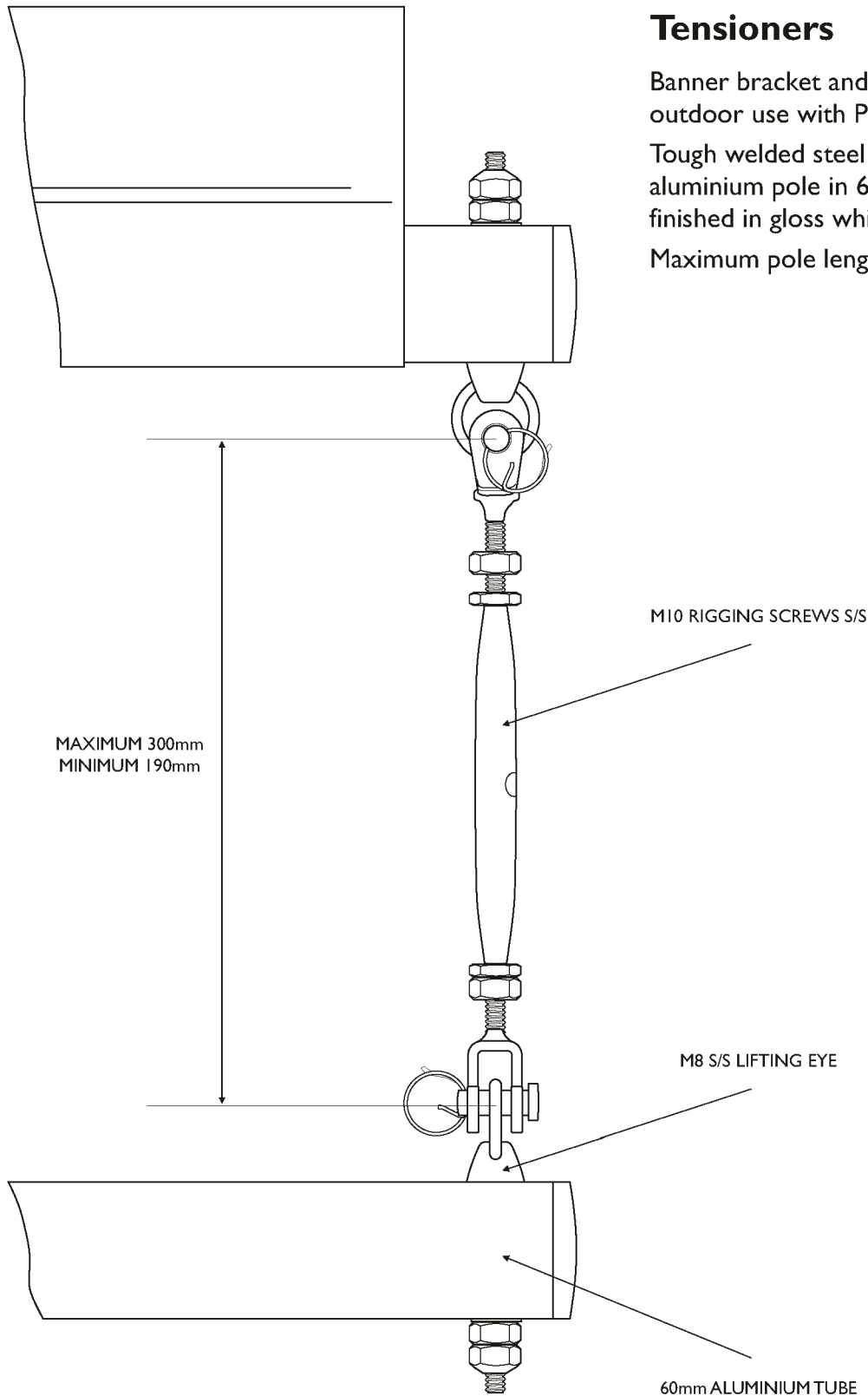
Banner Systems Specifications

Heavy Duty Systems - Pole & Fitting Details



Banner Systems Specifications

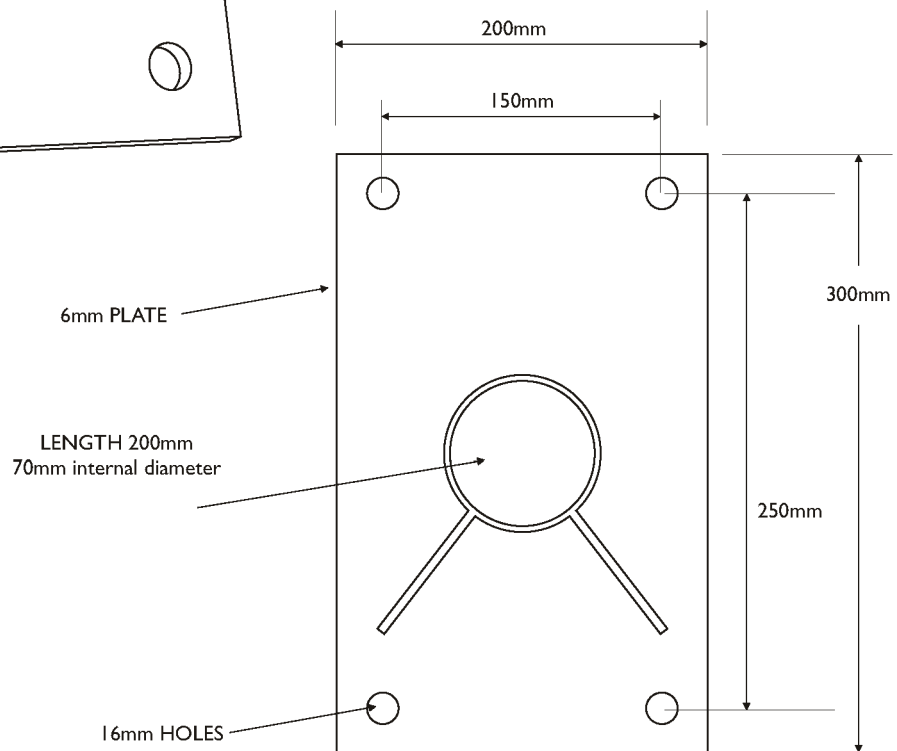
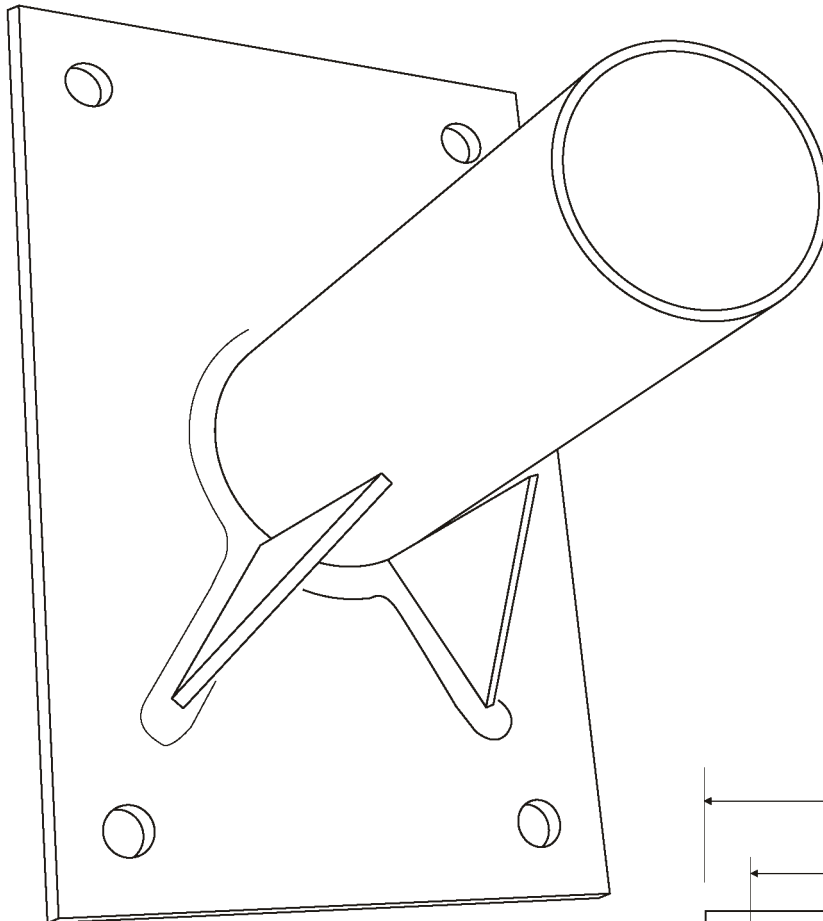
Heavy Duty Systems - Banner Poles



Banner Systems Specifications

Heavy Duty Systems - Banner Poles

Heavy Duty Bracket

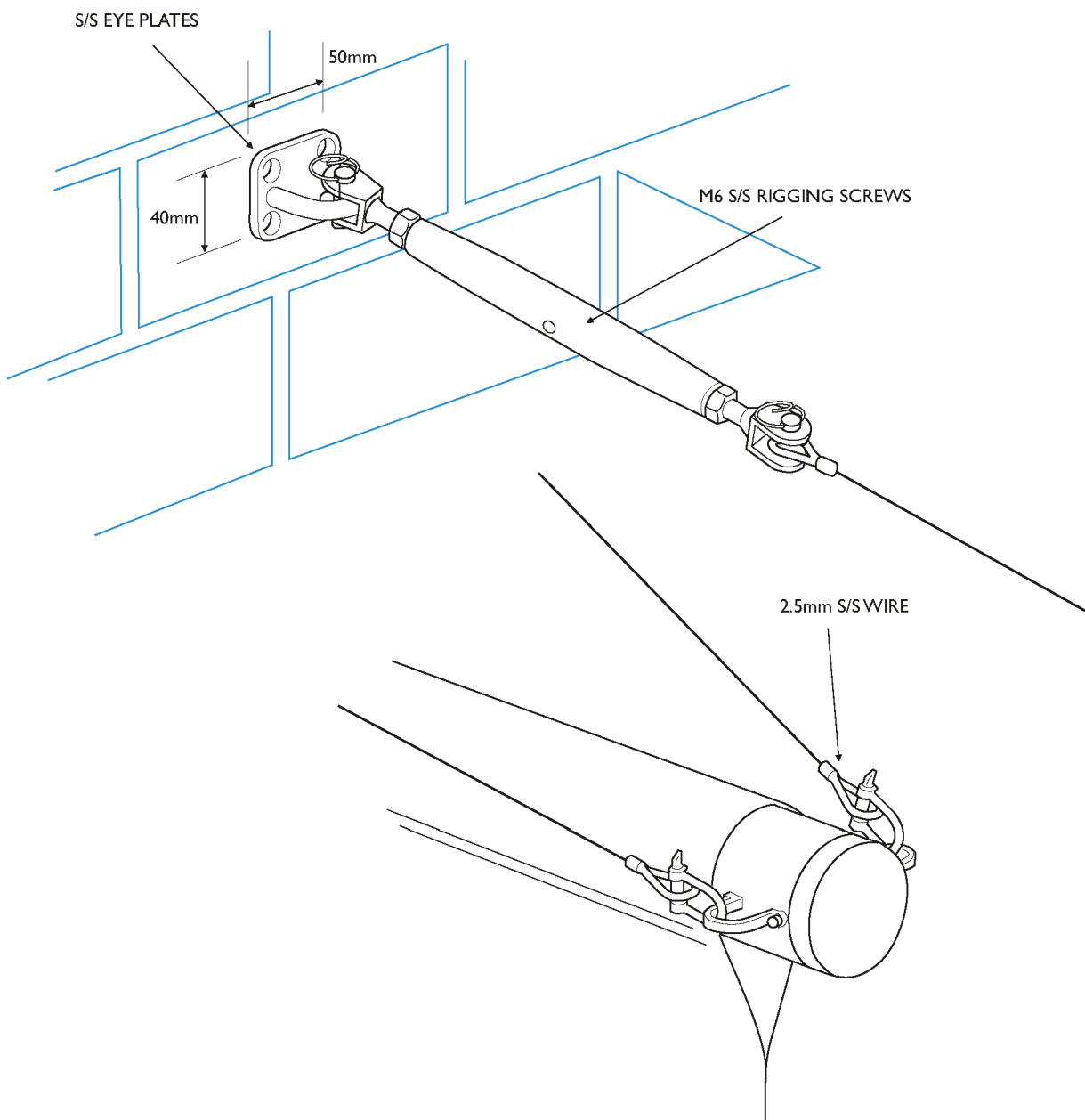


Banner Systems Specifications

Heavy Duty Systems - Banner Pole Stay Wires

For deep banner drops on exposed sites, Stay Wires and Tension Screws are available as optional extras to give greater support to the banner arms.

All fittings are in high quality stainless steel.



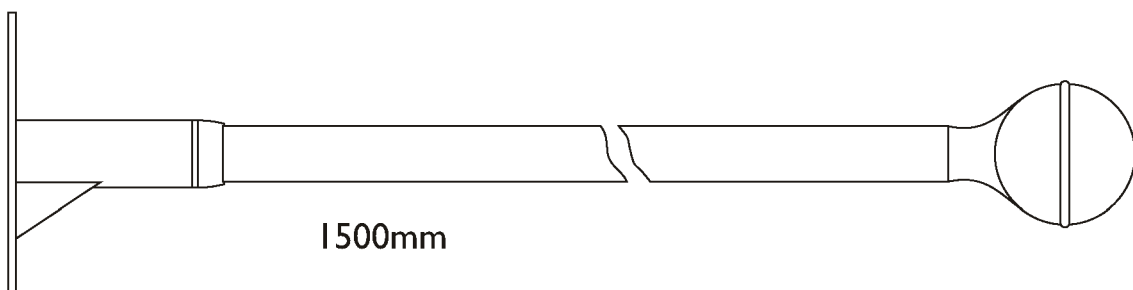
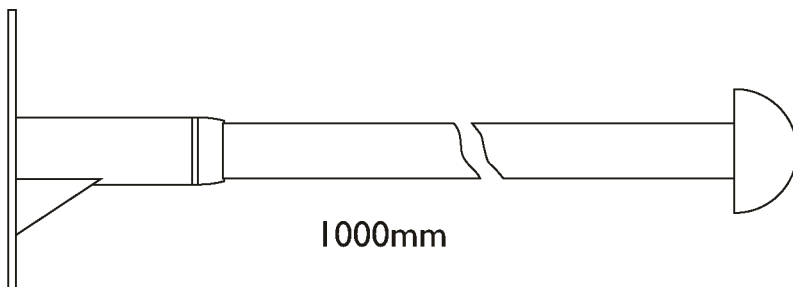
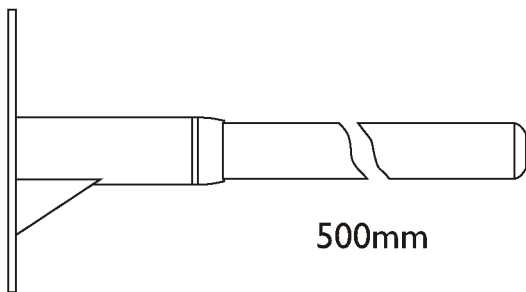
Banner Systems Specifications

Heavy Duty Systems - Banner Poles

Heavy Duty Poles

The Poles can have either:

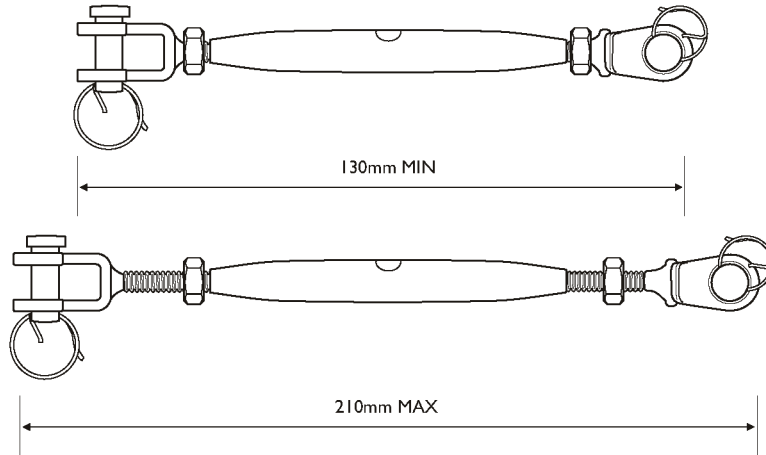
- Plain domed tops
- Gold finials
- Plain end caps



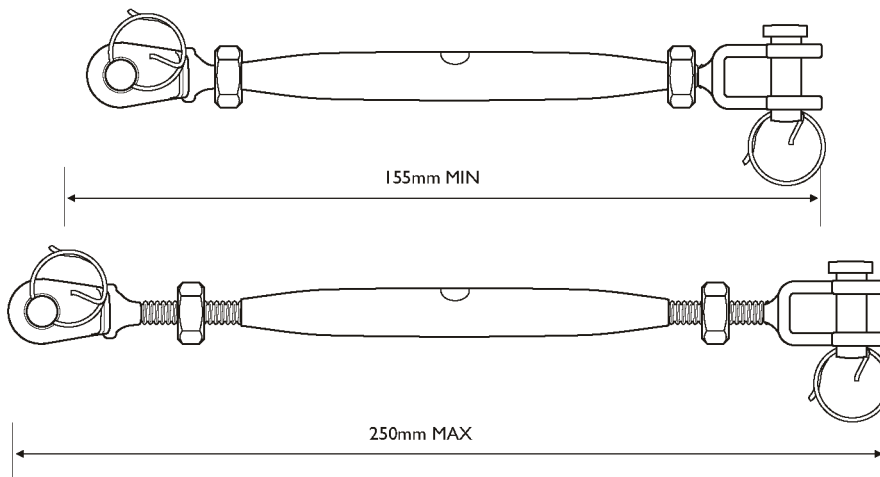
Banner Systems Specifications

Heavy Duty Systems - Rigging Screws

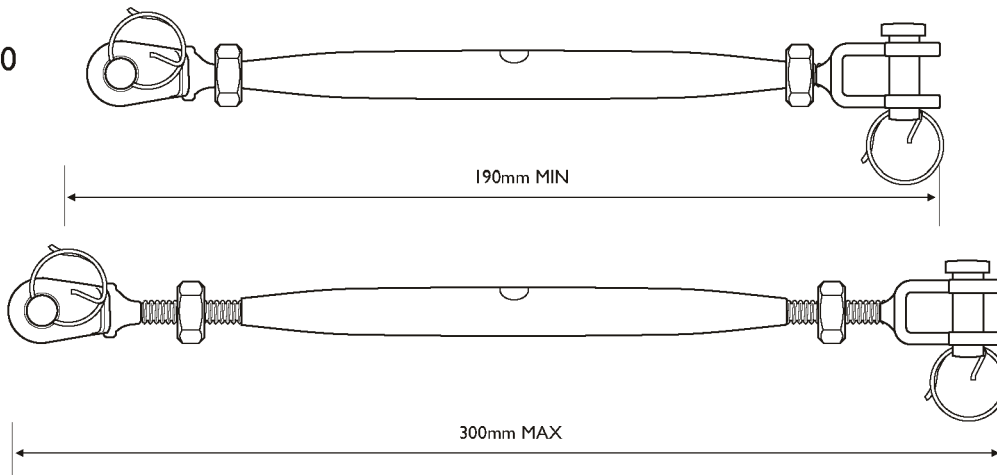
M6



M8

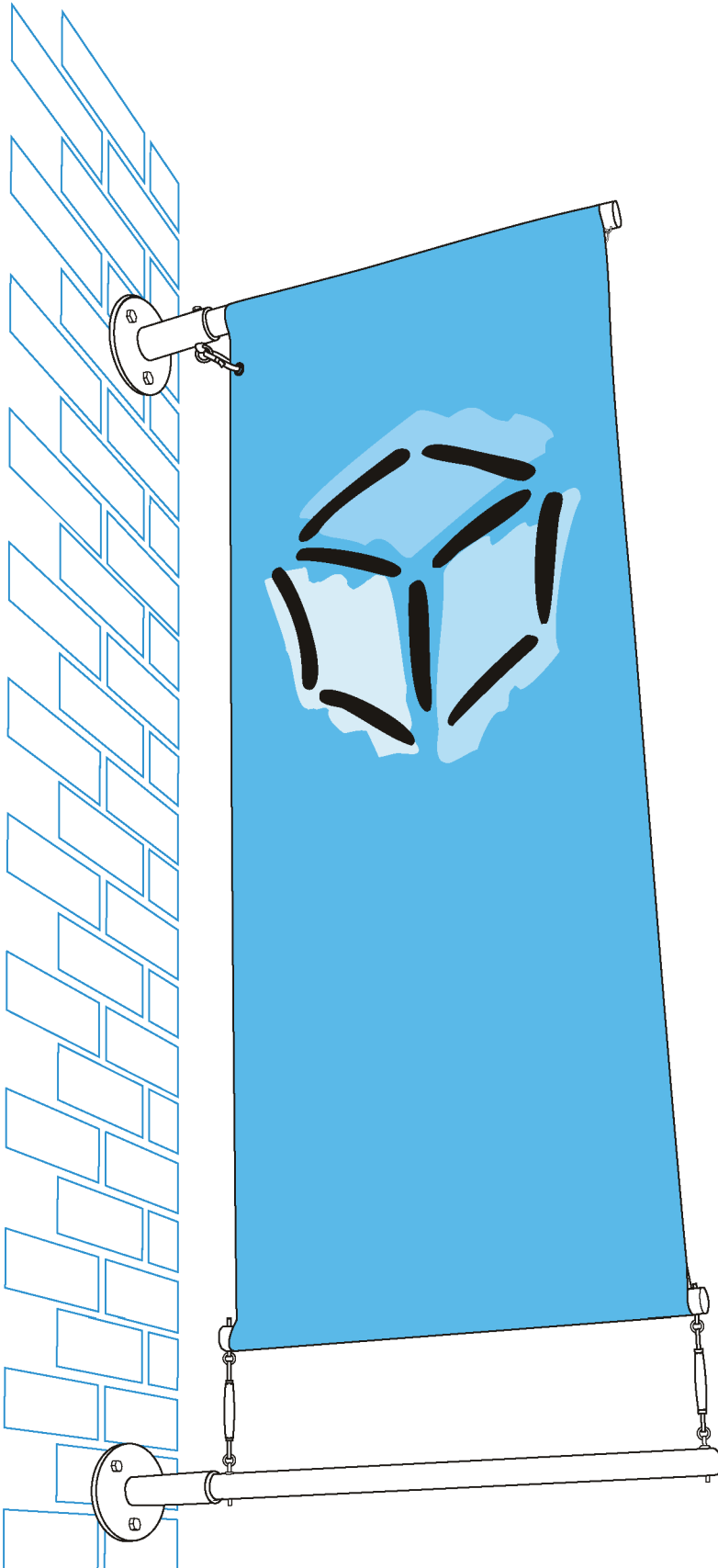


M10



Banner Systems Specifications

Standard Duty Systems - Banner Poles



Wall Mounted Banner Pole

Suitable for wall mounted PVC banners of 1.5m drop by 1.25m width. The 44.5mm diameter aluminium poles are finished in white.

Fixing plate 200mm diameter with 12mm holes.

End fittings available:

- Plain end caps
- White nylon truck
- Anodised gold finial

Recommended maximum
banner area = 2m²

Banner Systems Specifications

Standard Duty Systems - Banner Poles

Wall Mounted Banner Pole

Our most popular wall mount system has recently been upgraded with an enhanced bracket and is now available with an optional tensioner to ease fitting, adjusting and renewing the banner. Featuring an attractive circular steel bracket and aluminum arm, the Standard Duty system is suitable for use with banners with areas up to 2m²

Accessories

Tensioner
Single bracket
White end cap
Gold end cap

Banner

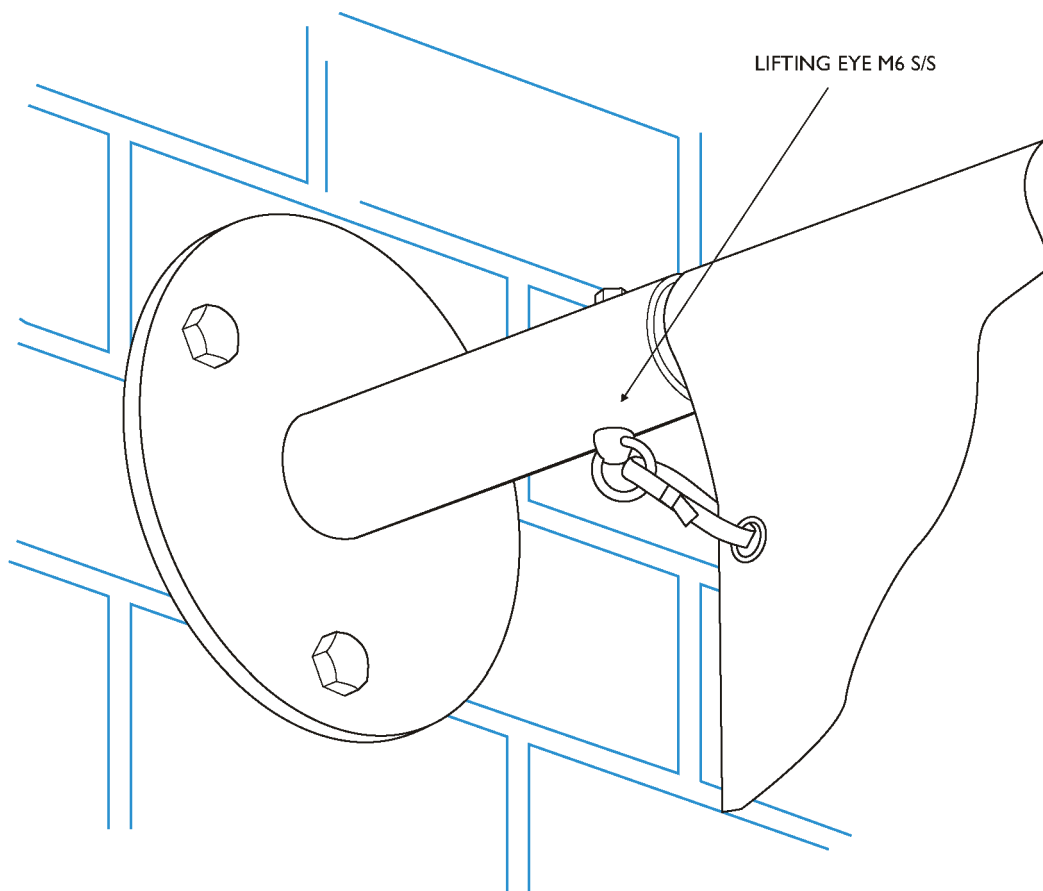
WIDTH	TENSIONER
500mm	•
1000mm	•
1250mm	•

Banner Systems Specifications

Standard Duty Systems - Wall Mounted Pole Bracket

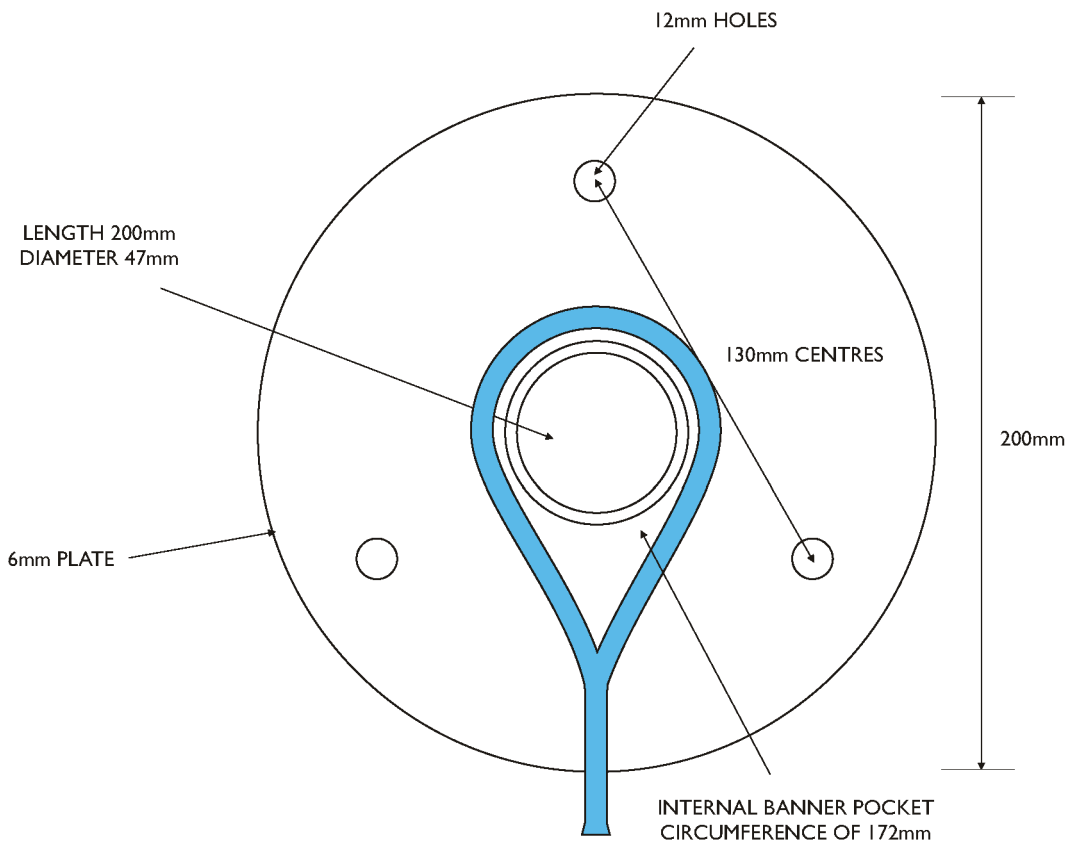
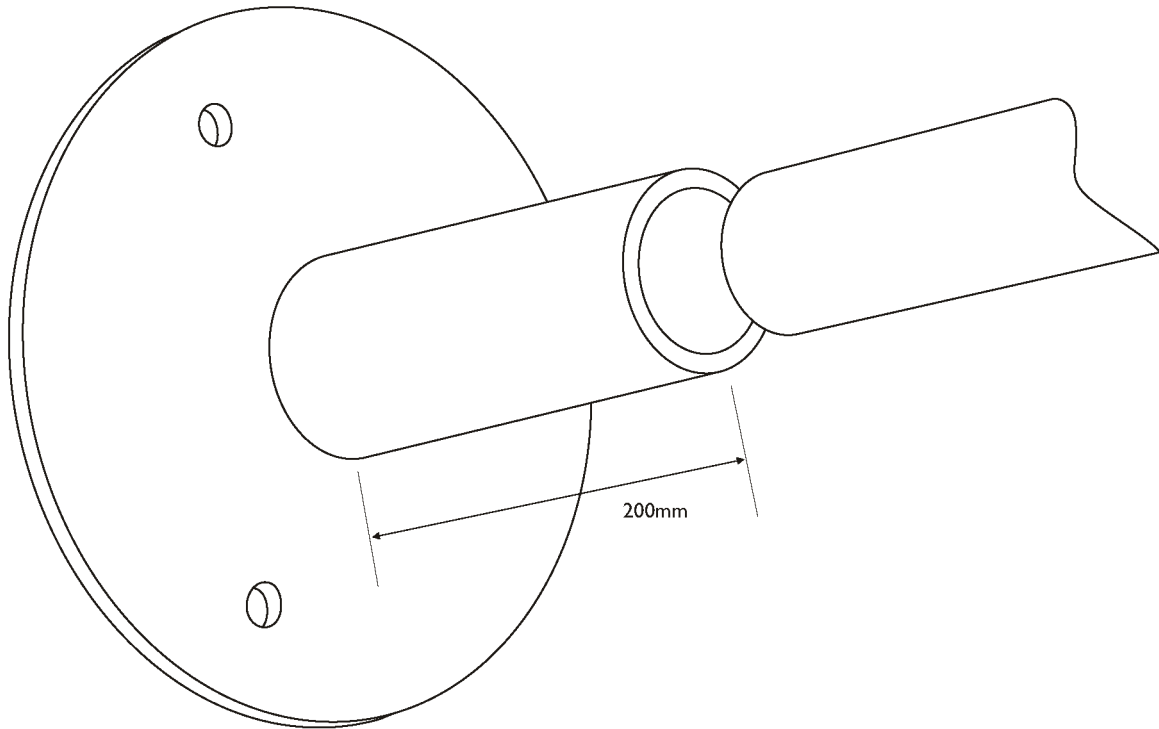
Technical information:

- 200mm diameter circular bracket with 12mm holes
- 44.5mm diameter aluminium arm fitted with end caps
- 46mm diameter aluminium Tension Bar with marine grade stainless steel fittings and M6 rigging screws
- White, powder-coated finish
- Domed end caps and gold finials available



Banner Systems Specifications

Standard Duty Systems - Pole & Fitting Details



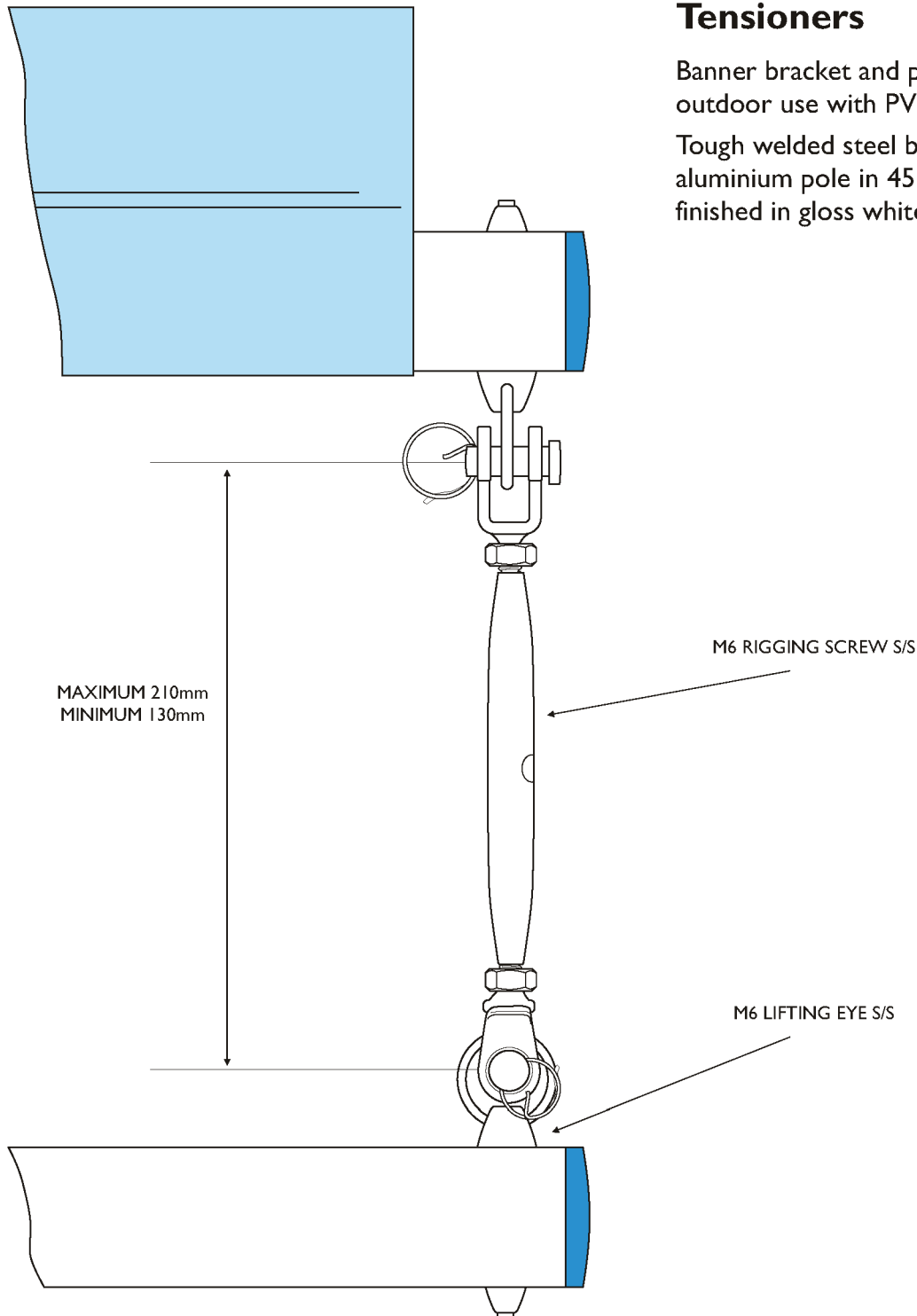
Banner Systems Specifications

Standard Duty Systems - Pole Tensioners

Wall Mounted Pole - Tensioners

Banner bracket and pole suitable for outdoor use with PVC banners.

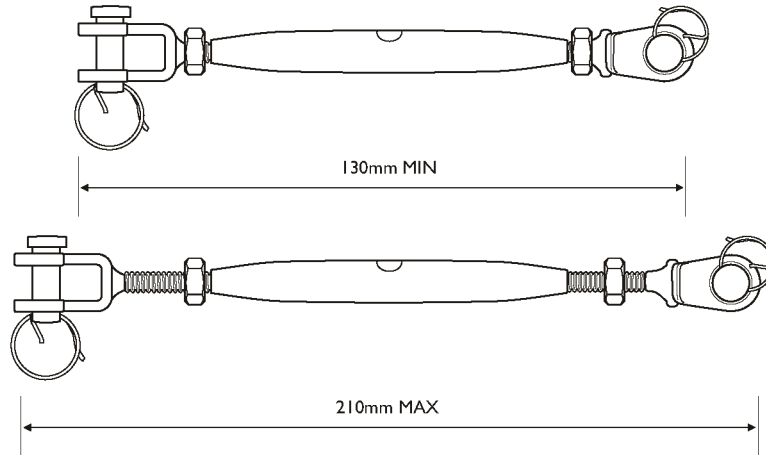
Tough welded steel bracket, aluminium pole in 45mm tube. Both finished in gloss white.



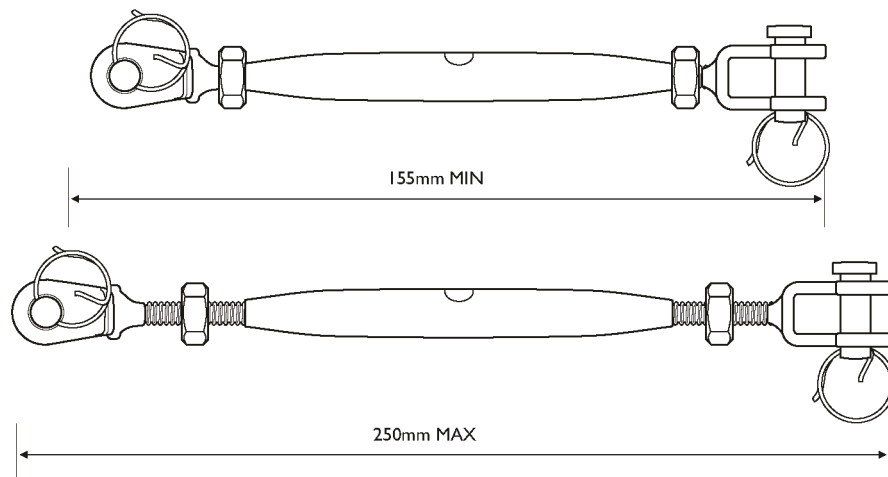
Banner Systems Specifications

Standard Duty Systems - Rigging Screws

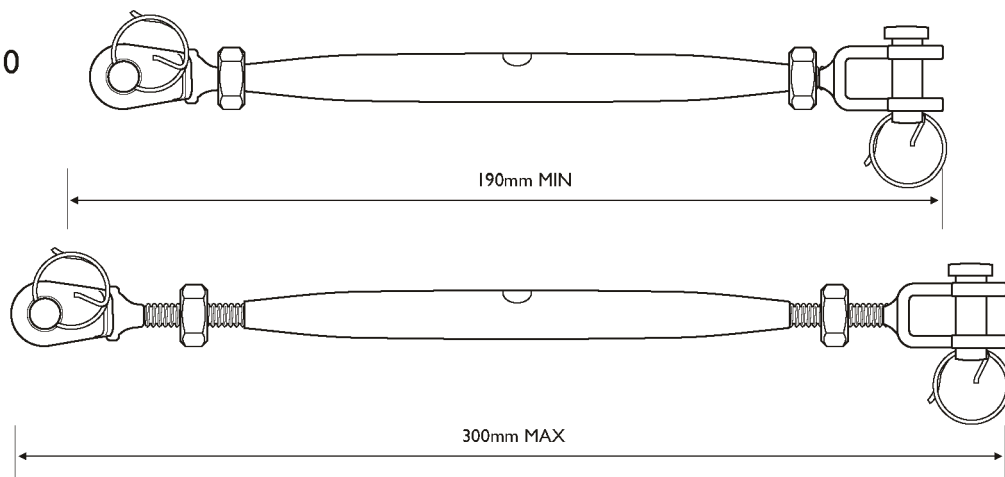
M6



M8

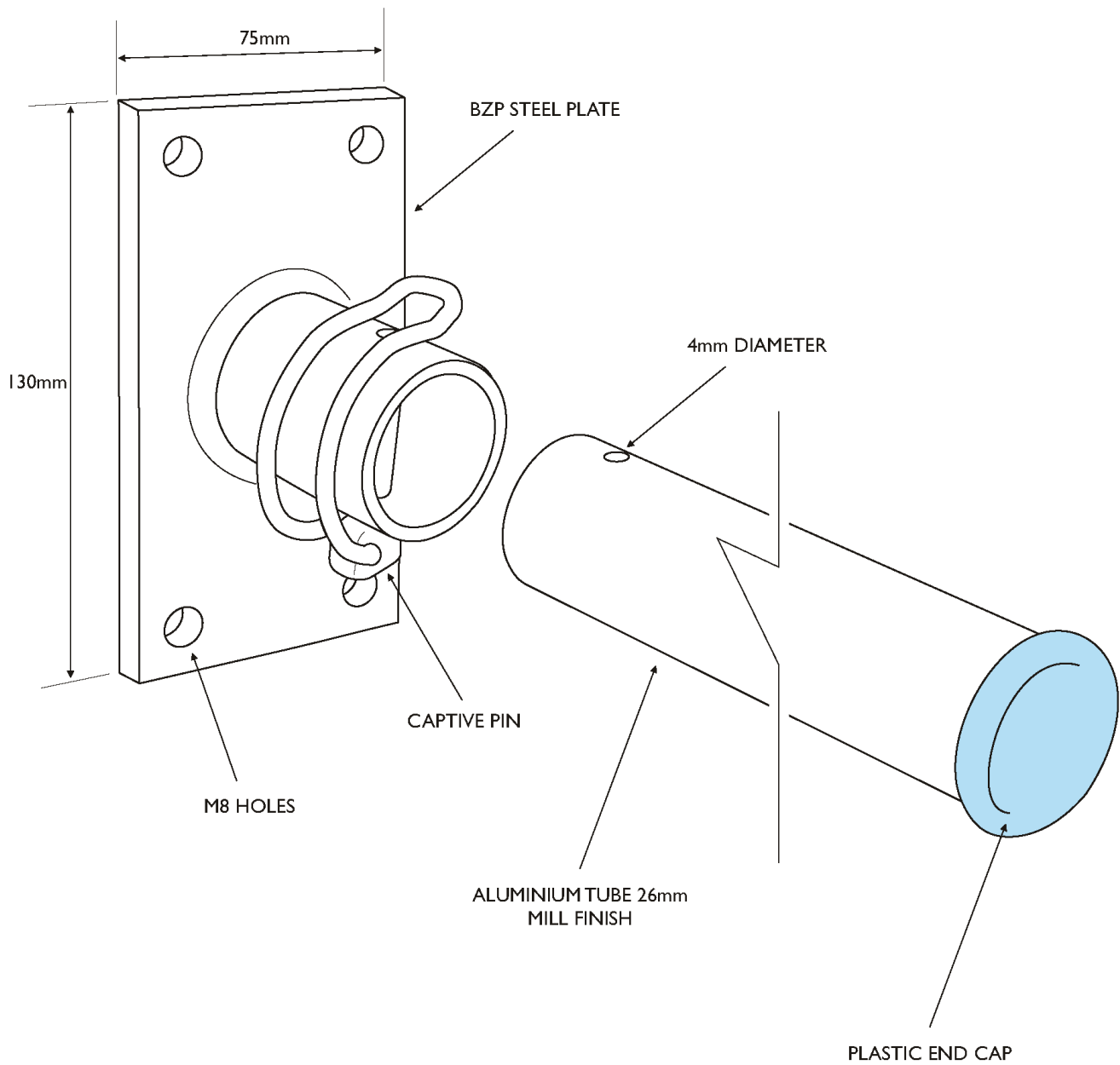


M10



Banner Systems Specifications

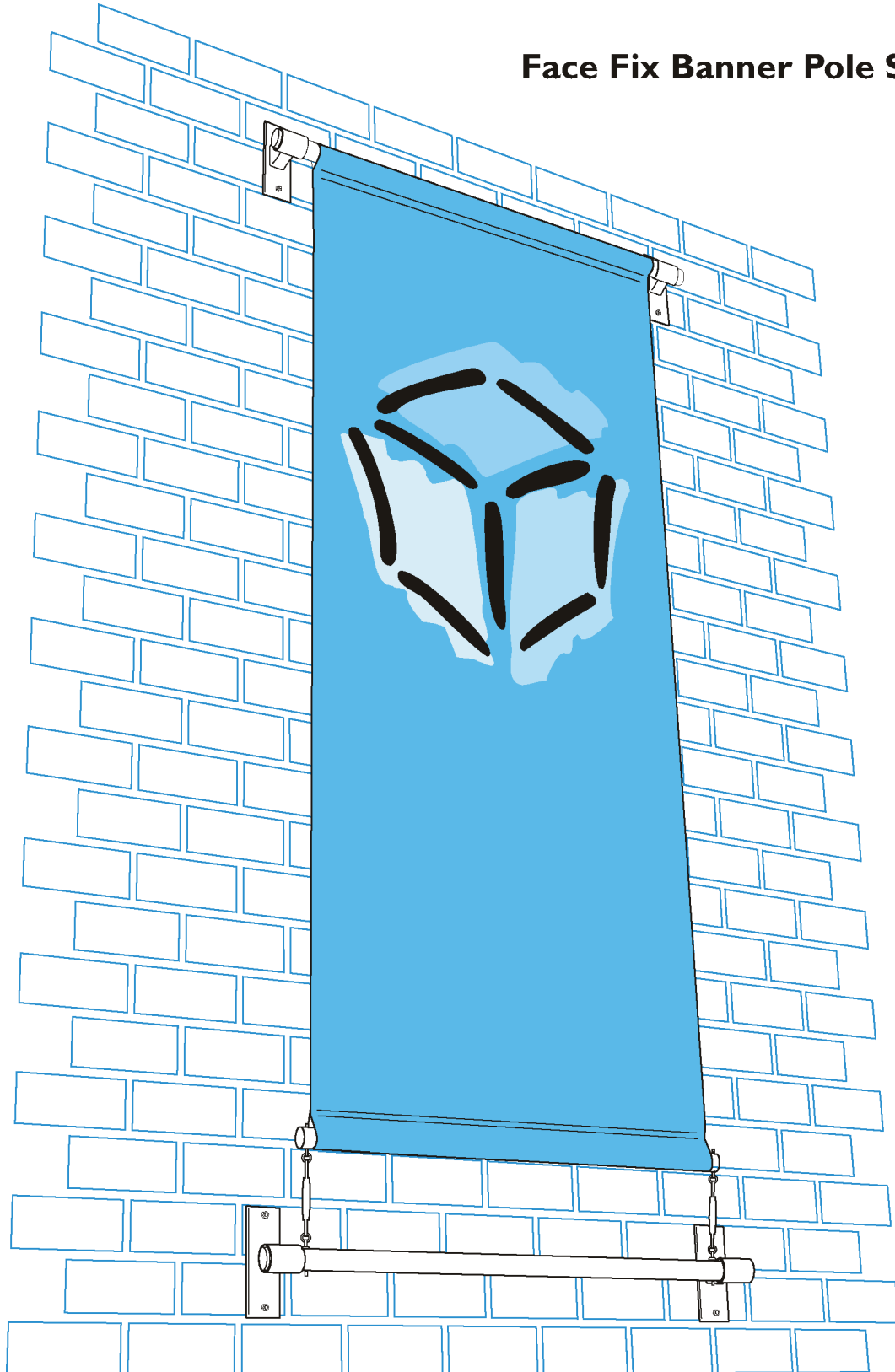
Light Duty Wall Mount - Bracket & Pole



Banner Systems Specifications

Heavy Duty Systems - Banner Poles

Face Fix Banner Pole System



Banner Systems Specifications

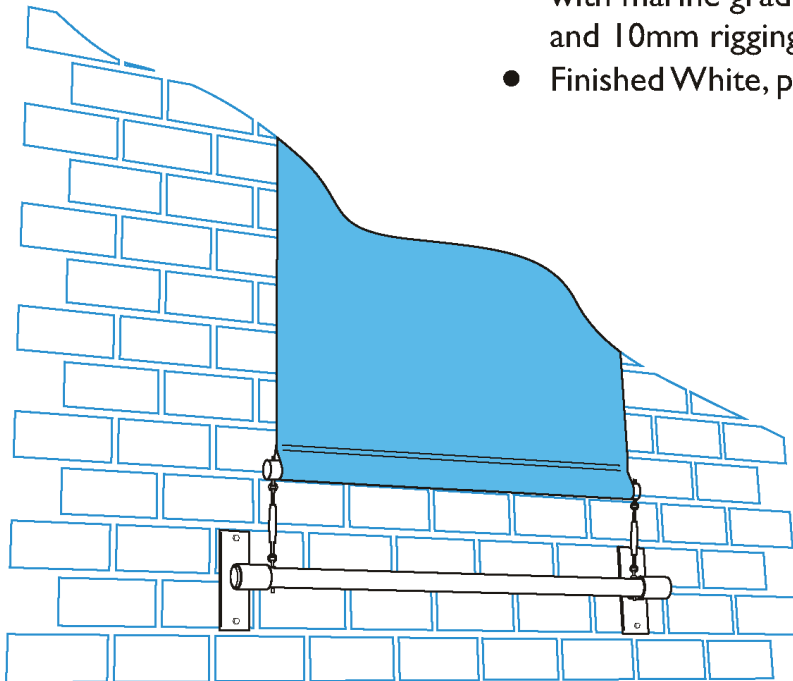
Heavy Duty Systems - Banner Poles

Face Fix Banner

The face Fix system is an increasingly popular exterior promotional tool, commonly used on free wall spaces and gable ends. The system enables large banners to be secured flat to the wall with the ability to change and tension the banners easily. Features Heavy Duty steel brackets with pre-drilled 16mm fixing holes, 60mm aluminium cross bars, tension bar and stainless steel rigging screws and fittings. Banners are quickly installed and changed by sliding onto the cross bars and tightening the rigging screws.

End fittings available:

- Bracket size 100mm x 300mm with 16mm diameter holes
- Arm 60mm diameter aluminium, fitted with collars and end caps
- Tension Bar 60mm diameter aluminium with marine grade stainless steel fittings and 10mm rigging screws
- Finished White, powder-coated



Banner Systems Specifications

Heavy Duty Systems - Banner Poles

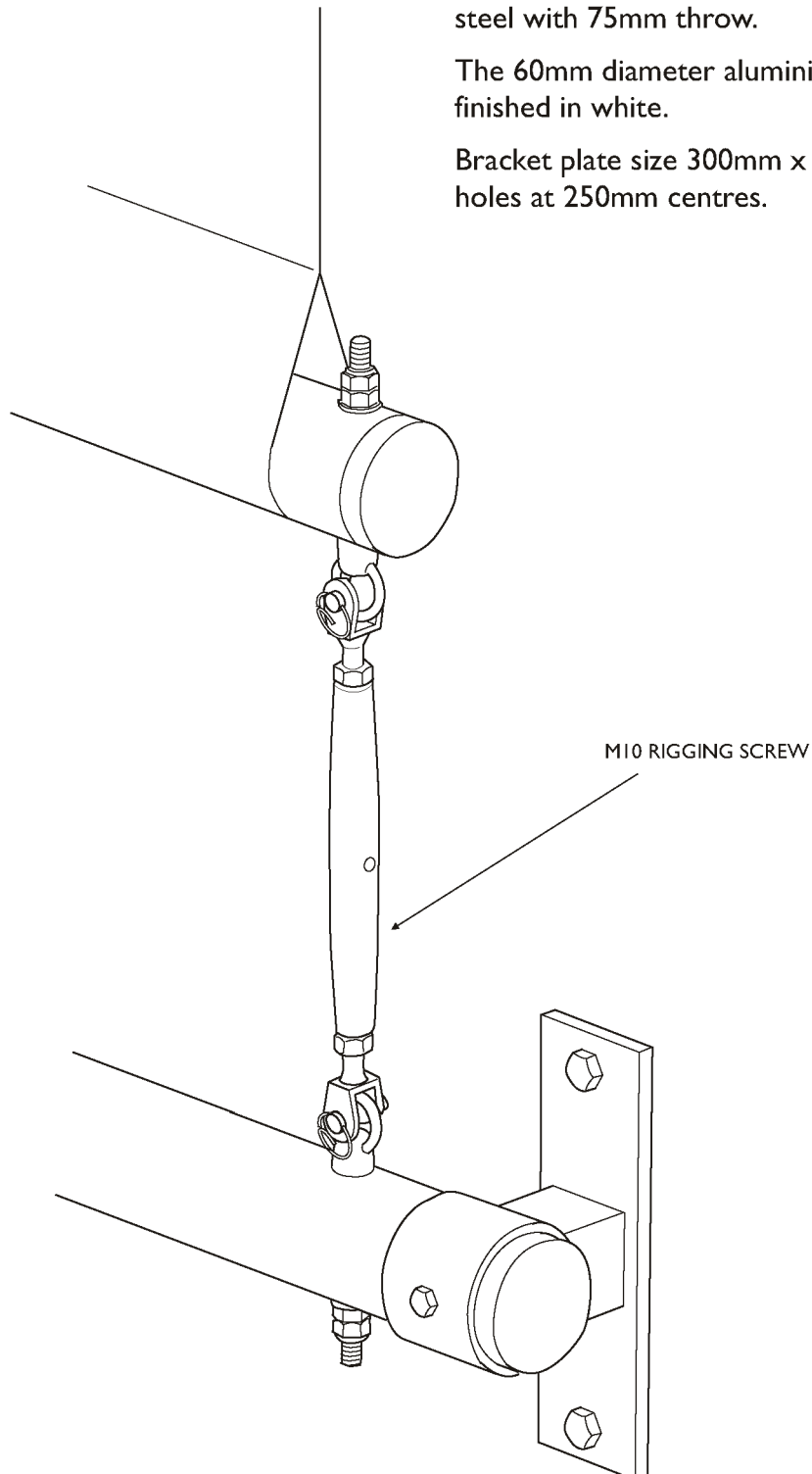
Face Fix Systems - Tensioner

Suitable for wall mounted PVC banners up to 2.5m wide.

Brackets made from tough white painted steel with 75mm throw.

The 60mm diameter aluminium poles are finished in white.

Bracket plate size 300mm x 100mm, 16mm holes at 250mm centres.



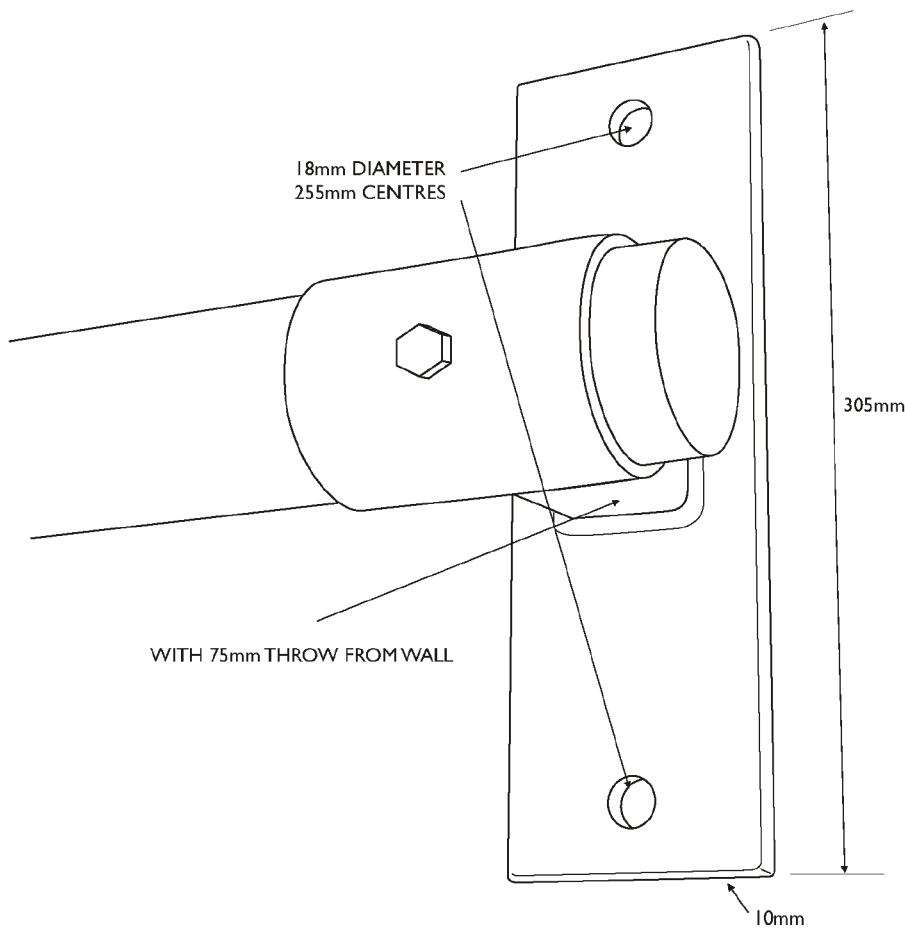
Banner Systems Specifications

Heavy Duty Systems - Banner Poles

Face Fix System

Comprises:

- 4 brackets
- 2 Poles
- 1 Tensioner pole



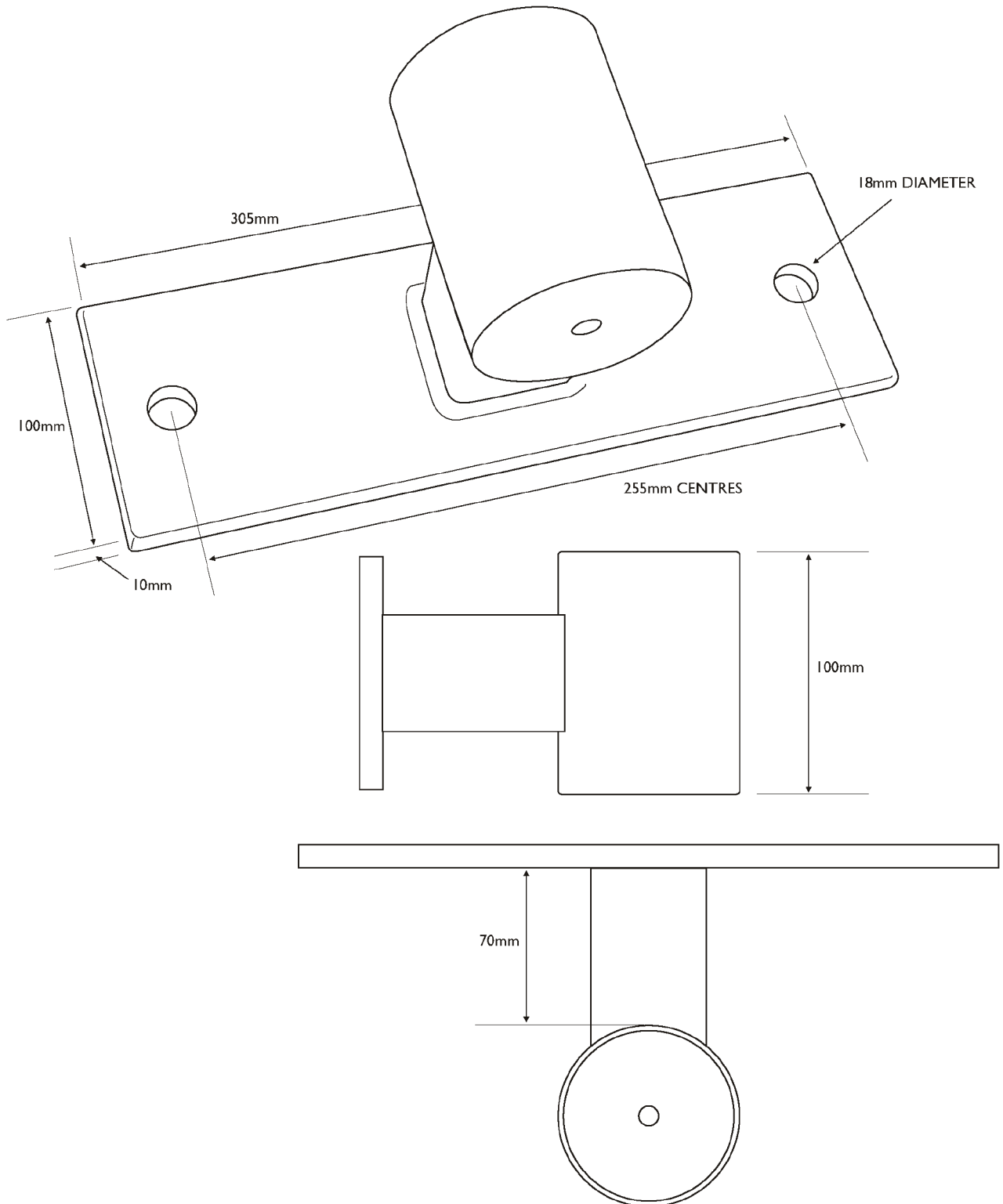
Face Fix System

- To take 1m wide banner
- To take 1.5m wide banner
- To take 2m wide banner
- To take 2.5m wide banner

Banner Systems Specifications

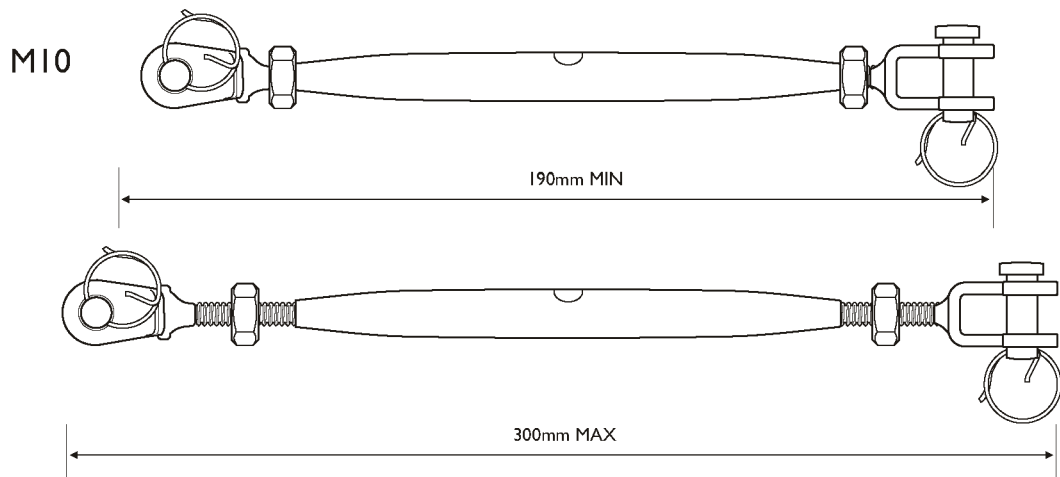
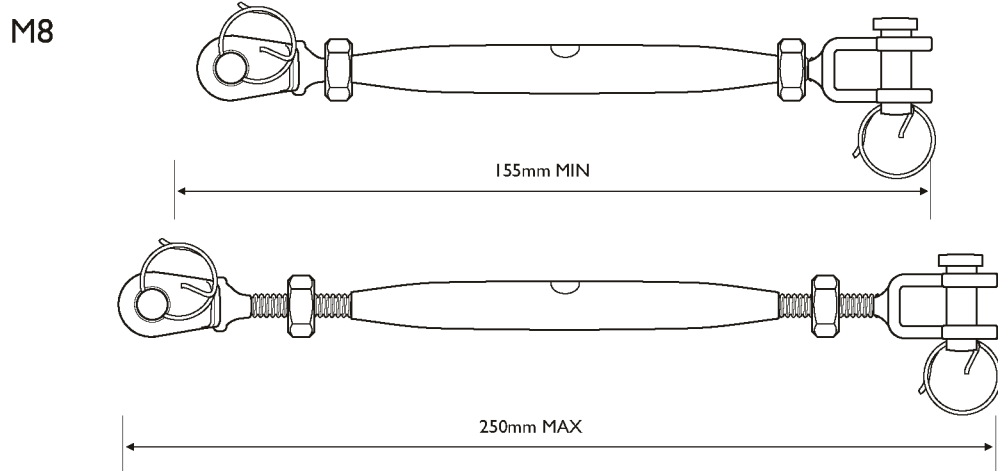
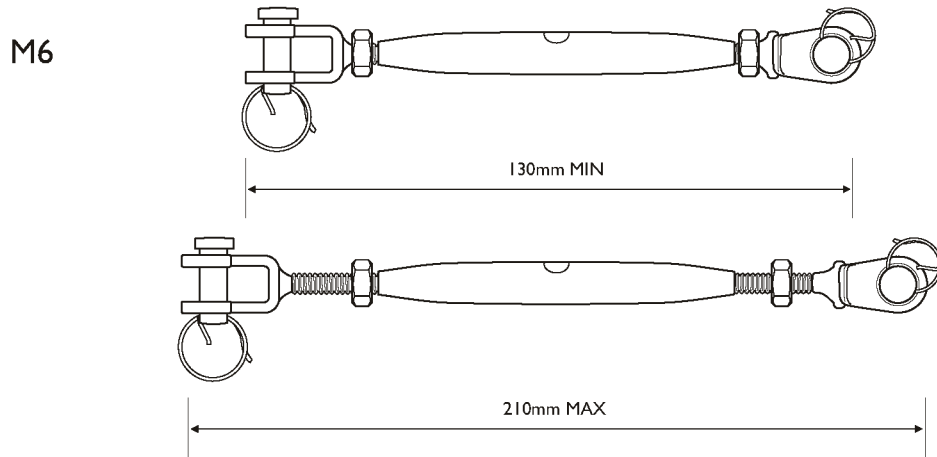
Heavy Duty Systems - Banner Poles

Heavy Duty Bracket (Stopped end)



Banner Systems Specifications

Heavy Duty Systems - Rigging Screws



Banner Systems Specifications

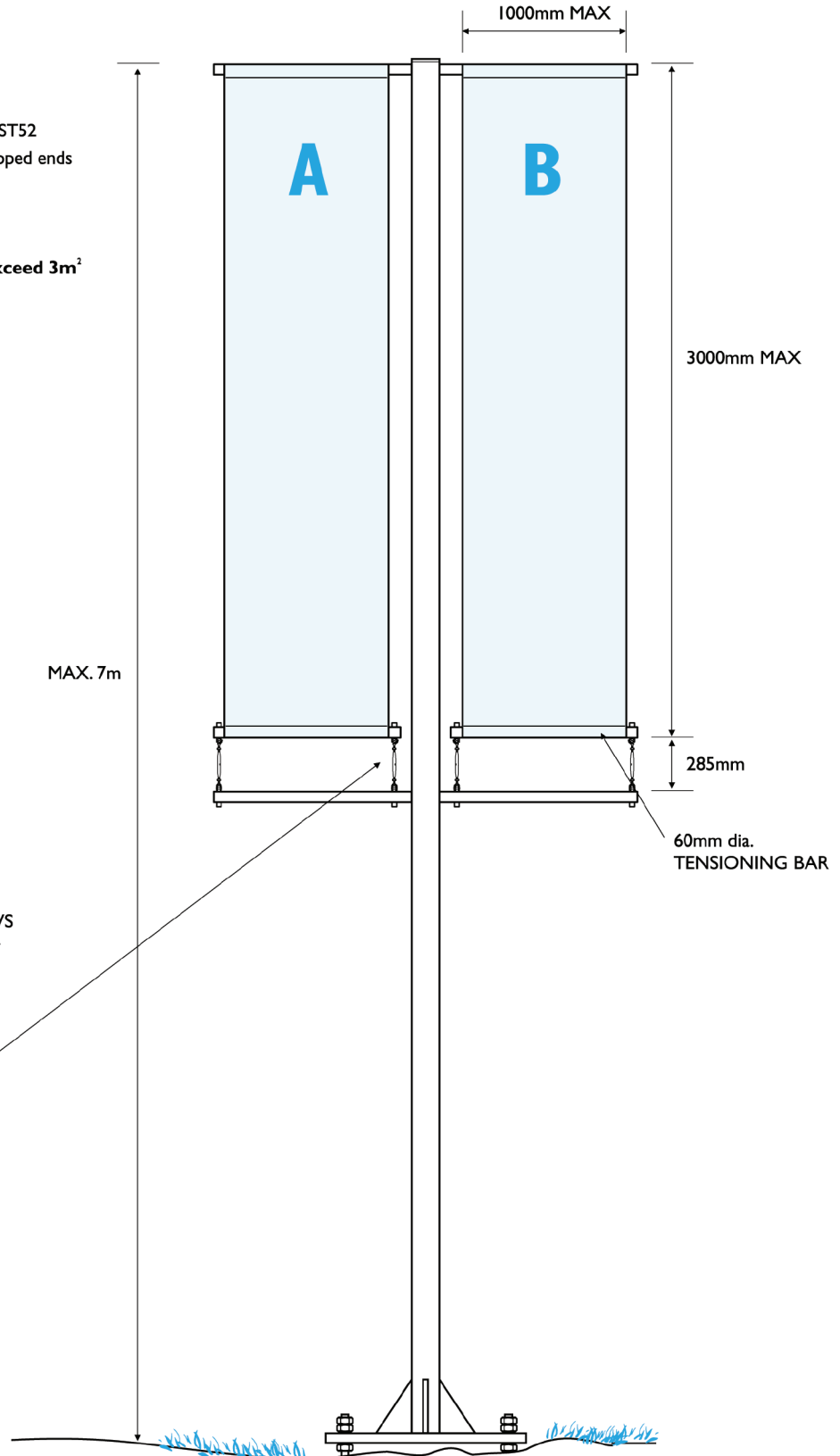
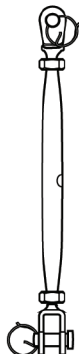
Banner Mast Systems

Main post 152mm x 63mm ST52
Arm 60mm x 3mm capped ends

All joints fully welded

Total banner area not to exceed 3m²
A + B = 3m² MAX.

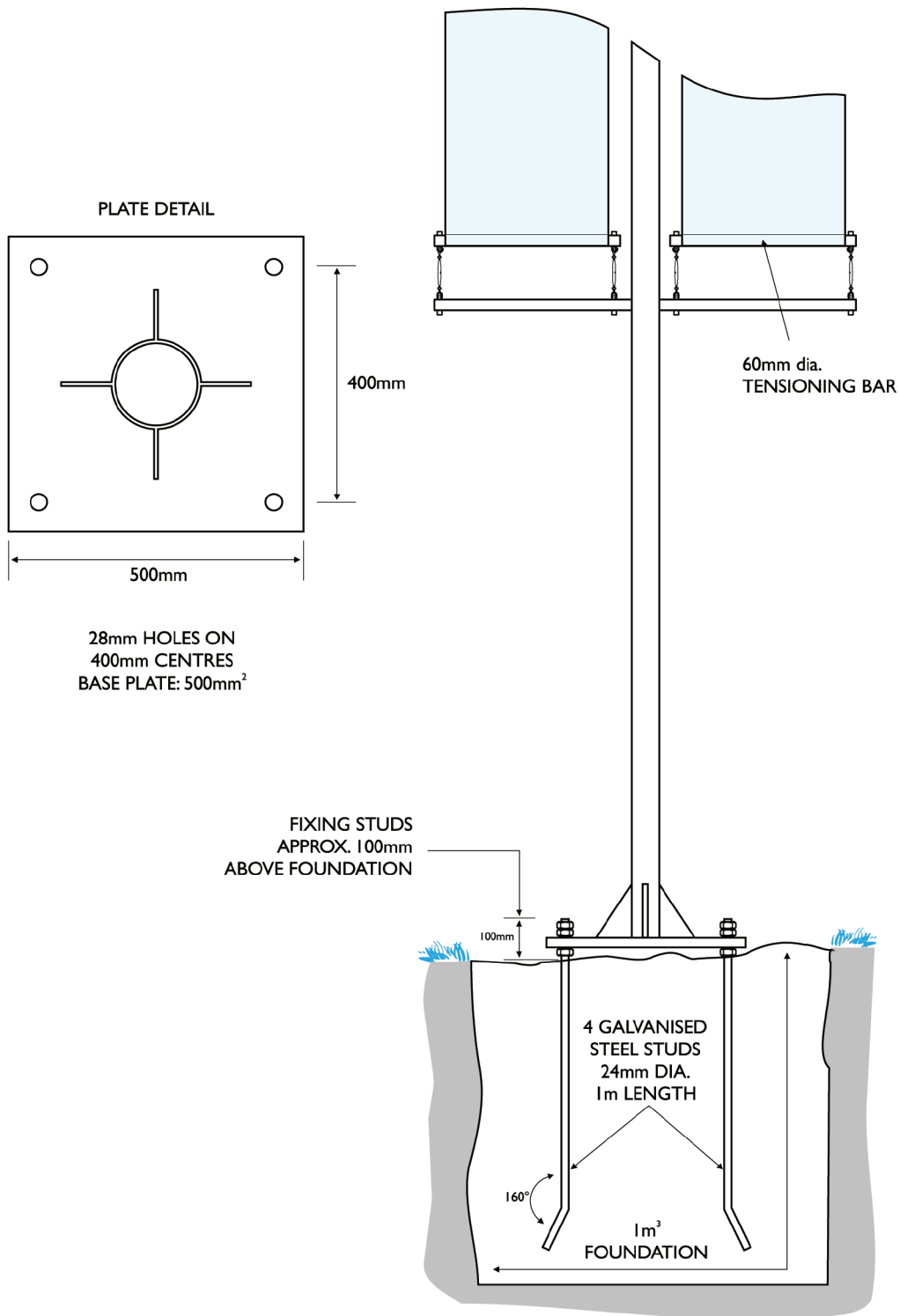
TENSIONERS
M10 RIGGING SCREWS
190mm MIN. TO 300mm MAX.



Banner Systems Specifications

Banner Mast Systems

Ground, baseplate and stud detail



Banner Systems Specifications

Banner Mast Systems

Main post 152mm x 63mm ST52
Arm 60mm x 3mm capped ends

All joints fully welded

Total banner area not to exceed 3m²
A = 3m² MAX.

