

Vario D5 Banner stand

Technical Sheet / Price List

Vario D5 Specifications

The Vario D5 is a single sided banner stand which requires not tools and can be quickly assembled. Banners are fixed with the practical clip profile and with just 415mm depth it is extremely economical on space. The standard kit size is 800mm wide but is also available in 600mm and 1000mm widths and comes complete with it's own carry bag.

Kit Price (Excluding graphic) £175

Kit Specifications

Standard D5

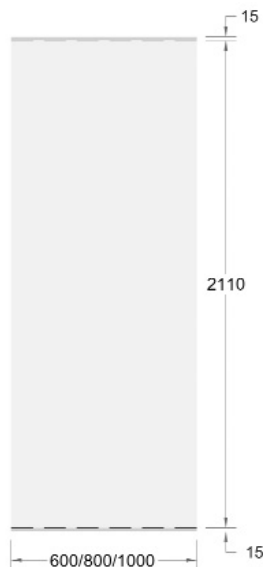
Height: 2140mm

Width: 800mm

Weight: 4.5Kg

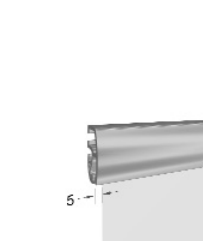
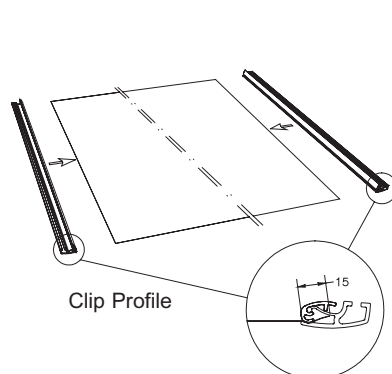


Graphics

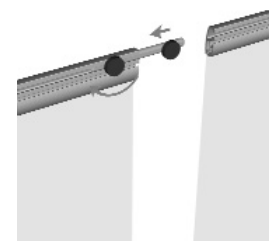


Graphic Size Standard: 2140mm x 800mm **Visual Size:** 2110mm x 800mm

Graphic Price £250



When using mag-edge, increase panel width with 10mm to line up with top and bottom bar



Top bar connector VA5019, for connection of displays