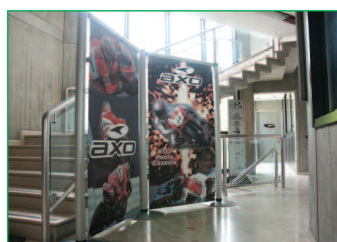
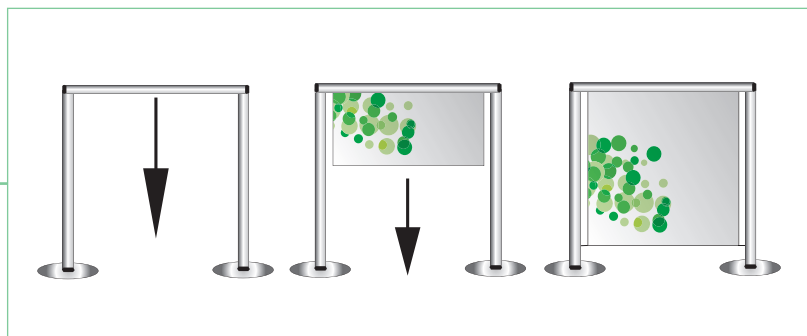
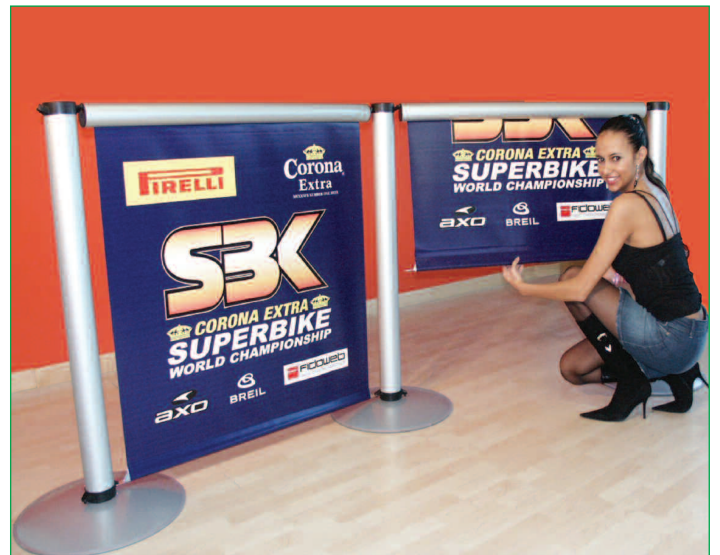


Easy Show Banner System



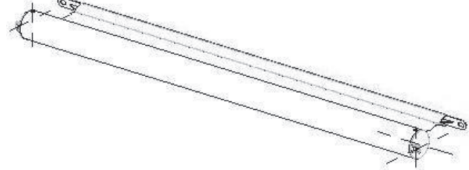

The Easy Show roller banner system is the latest addition to our portfolio and part of our continuous programme of development. The patented system uses a number of innovations to provide the user with a robust and extremely versatile method of displaying banners covering a huge number of applications both internal and external. The modular system incorporates a spring-loaded cassettes which houses and protects the banner. Users simply pull the banner down and locate on fixing points directly above the base.

This robust system provides a massive range of applications and is highly user friendly allowing for total mobility and flexibility to help you and your organisation create the maximum impact for all your banner communication. We currently offer widths of 1m and 2m and heights of 1m, 2m and 2.5m. The system is totally modular and can be adapted for internal or external use with the addition of a weighted or super weighted base, dependant on specification and environment.

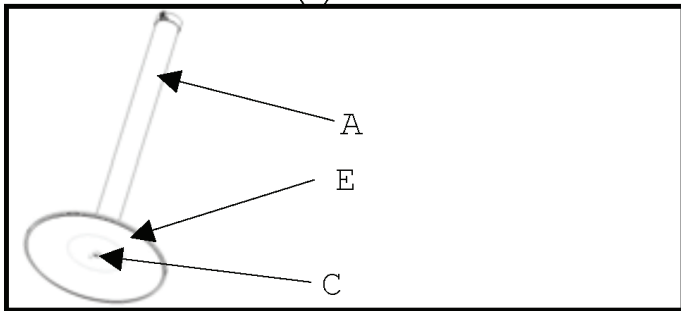
This kit is modular and available in different configurations. For prices please enquire with your account manager.



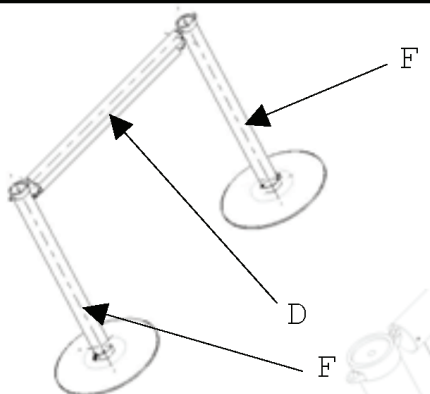
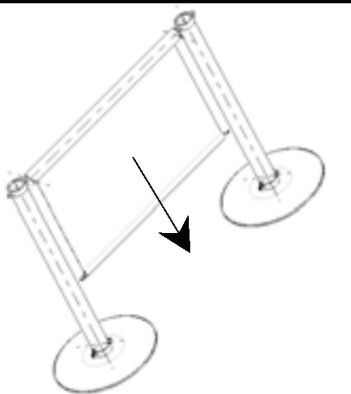
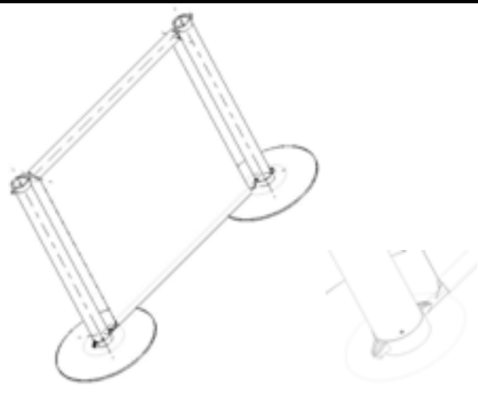
Easy Show Banner System - Set Up Instructions

<p>A</p>  <p>Vertical ledge</p> <p>2 pcs</p>	<p>C</p>  <p>Wing nut</p> <p>2 pcs</p>
<p>D</p>  <p>Horizontal ledge</p> <p>1 pcs</p>	<p>E</p>  <p>washer</p> <p>2 pcs</p>

STAND ASSEMBLY (F)



Assembling of stand (F): screw of the vertical ledge (B) is inserted through the bore in the washer (E). The wing nut (C) is screwed onto the screw (B). The wing nut is to seat tightly onto the washer (E).

		
<p>Assembly of two stands (F) joint with a horizontal ledge (D). The stand projection is to be inserted through the opening of the horizontal ledge</p>	<p>By means of a handle, canvas is drawn out of the horizontal ledge.</p>	<p>As the canvas is drawn out to reach the washer, the handle is fixed onto holders on the lower stand cover</p>

WARNING:

1. When assembled, pay attention so to prevent eventual break of plastic parts when turning of the horizontal ledge around the stand.
2. Highest tolerated loading on the horizontal ledge is 80[kg].
3. When de-assembling make sure the horizontal ledge is lifted horizontally. In case of major ledge incline from the horizontal position, plastic parts may break.