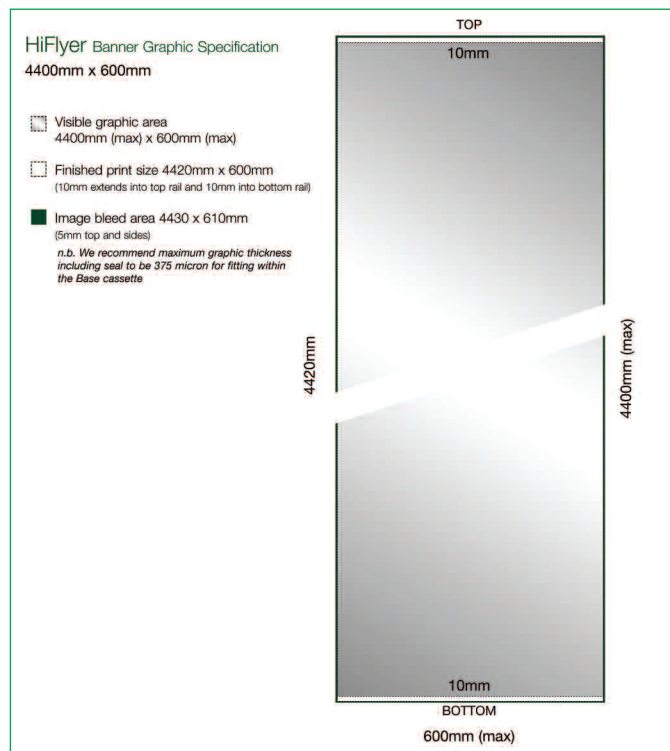


Technical Sheet

Hi Flyer Banner System

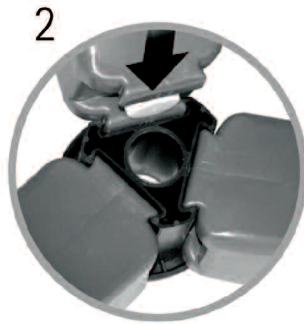
Reach new heights with the new HiFlyer banner display. Extending up to a maximum height of 4.4 metres the HiFlyer is the ideal graphic display for those who want their presentation to stand tall. Single or double sided graphics can be displayed on the system and the system is easy to assemble, with stability provided by the water filled base unit.



High Flyer Banner System Set Up



1
Fill each of the 3 feet with water and ensure cap is watertight



2
Slide each of the 3 feet into the bottom of the central hub



3
Insert base plug into central hub



4
Turn base over so it is the correct way up



5
Slide pole firmly into the threaded collar.



6
Push the pole and collar into the hole in the top of the central hub



7
Screw the plastic nut onto the threaded end of the collar underneath the base



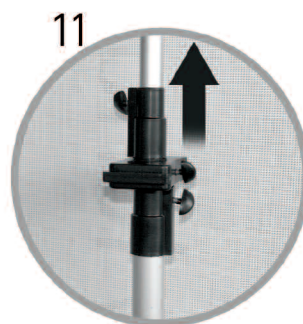
8
Position the top and bottom brackets on the pole assembly



9
Slide graphic top bar into the channel on the top bracket until central



10
Slide graphic bottom bar into the channel on the bottom bracket until central



11
Adjust the tension by loosening key and extending pole. Retighten to secure



12
Push end caps onto the graphic top and bottom bars