

Oval Plinth 2 Specifications

This oval plinth has a lockable door to one side enabling storage of literature and other items.



Features

- Beech veneer Top
- Curved beams
- Profiled side sections
- Round upright poles
- Lockable front/rear door

Optional Extras

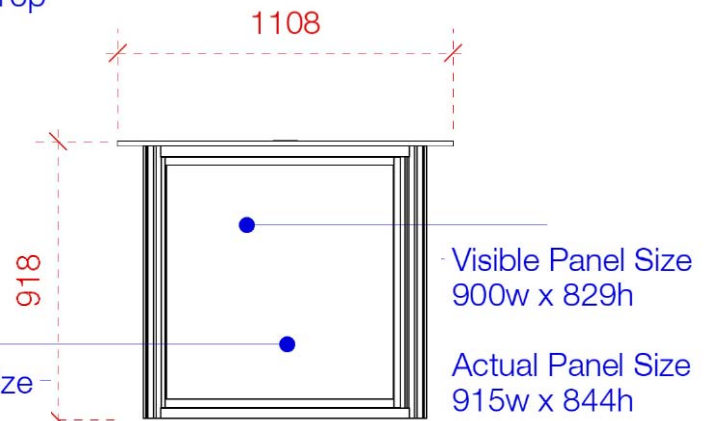
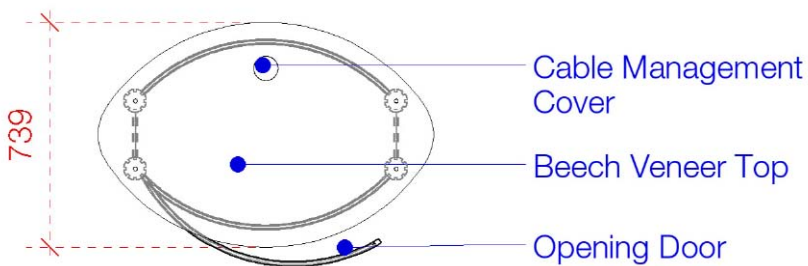
- Choice of top finishes
- Cable management cover
- Internal shelf

Sale - Kit Price (excluding graphic) - **£940**

Hire - Kit Price (excluding graphic) - **£420**

Dimensions & Graphic Sizes

Single Sided Graphic Price - **£120**



Door Panel Size

Visible - 844w x 773h

Actual - 859w x 788h

Front Elevation

