

Technical Sheet

Voyager Specifications

The Voyager stand is a banner system designed for outdoor use. Simply fill the base with water and the Voyager becomes extremely stable even in windy conditions. Fitting the banner is easy with no tools required. The Voyager is made of impact resistant plastic to withstand the rigours of outdoor use and comes with a 12 month guarantee.

Standard Height: 2130mm
Standard Width: 700mm
Kit Weight: 4.5Kg (Empty)
Kit Price: POA



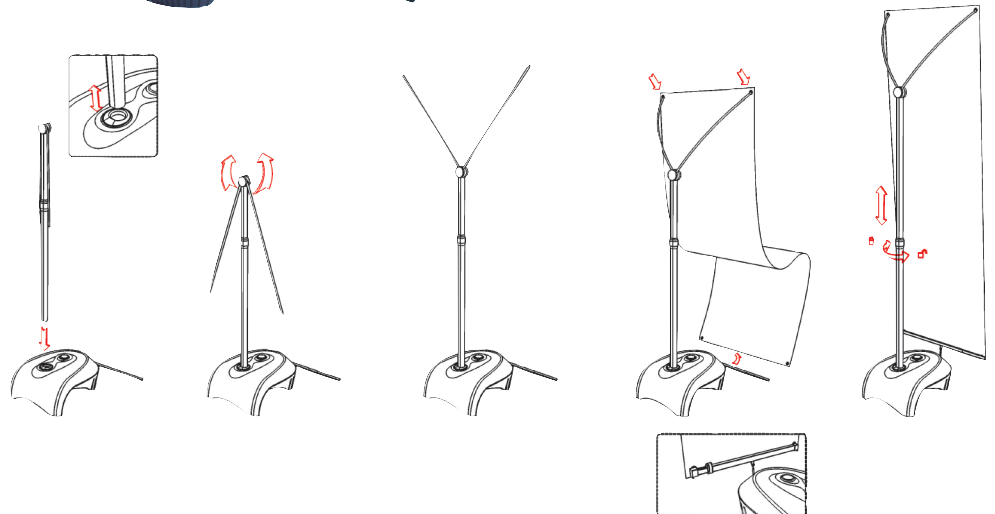
Extendible Pole



Graphic Fixing Arms Detail



Transportation Case



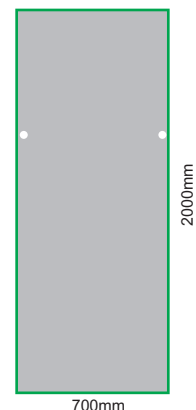
Graphics



Graphics produced at 2000mm(h) x 700(w)mm

Image bleed - allow 10mm around each edge

Eyelet allowance - 30mm centre from each edge



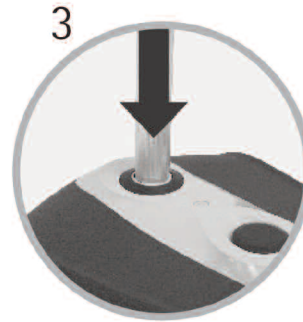
Voyager Assembly Instructions



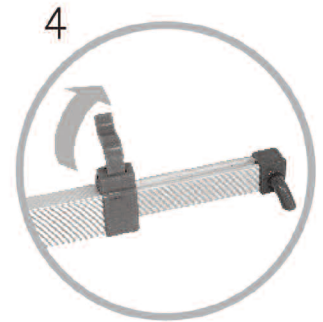
1 Remove top cap on the Voyager base unit and fill the base with water for extra stability (if required)



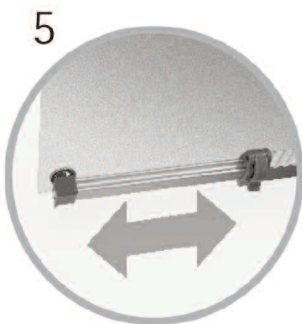
2 Replace top filler cap



3 Insert telescopic pole firmly into the base unit



4 Flip up catch on the graphic rail (affixed to base unit) and extend to the required length to suit graphic width



5 Affix the bottom section of the graphic to base graphic rail and adjust tension on the graphic rail (if required)



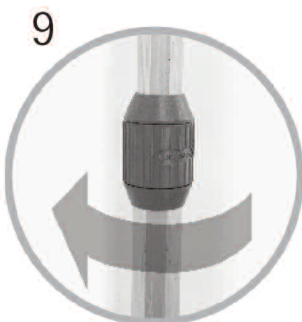
6 Raise the extension arms affixed to the telescopic pole



7 Hook top section of the eyeleted graphic onto fixing hooks attached to the extension arms



8 Unlock the telescopic pole by twisting the handle anti-clockwise



9 Extend the telescopic pole to tension the graphic and twist handle clockwise to lock into position

Your Voyager II is now ready for all types of promotional display presentation. To dismantle reverse the assembly procedure. Ensure graphic is rolled up – image side facing outwards.

